



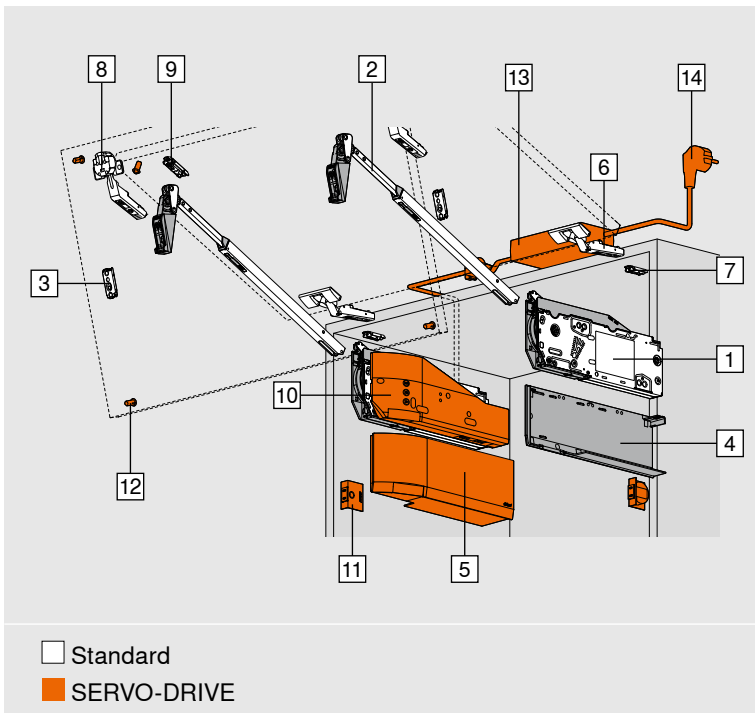
AVENTOS HF top

Technical data sheet

www.blum.com

 **blum**[®]

Wooden fronts and wide alu frames



- Ideal for higher wall cabinets with bi-fold fronts
- Cabinet height 480–1200 mm
- Cabinet width up to 1800 mm
- Internal depth of at least 264 mm
- Integrated BLUMOTION for soft and effortless closing
- Light operating forces
- Variable stop
- Integrated opening angle stop
- Fixed position of the lift mechanism and front fixing bracket
- Symmetrical lever
- Tool-free assembly
- Two lift mechanism fixing methods
- 3-dimensional adjustment of both fronts
- Centre hinge with finger safety feature

Ordering information

Note

Power factor (LF) = cabinet height* (KH) [mm] x front weight including handle weight [kg]

* Calculate with theoretical cabinet height (TKH) for asymmetrical fronts

The larger front must be at the top for asymmetrical fronts.

We recommend the more powerful lift mechanism for applications in overlapping ranges. A trial application is recommended when you are in a borderline area of the individual lift mechanism.

The power factor can be increased by 50% when using a third lift mechanism. We recommend a third lift mechanism for wide cabinets. This will prevent the front from sagging when open.

1	<input type="checkbox"/> Standard <input type="checkbox"/> SERVO-DRIVE	Lift mechanism	
		Fixing with chipboard screws with positioning system	
		LF	
		1350–6750	22F2201
		2700–13500	22F2501
	10000–19300	22F2801	
Symmetrical lift mechanism			
LF Power factor			

1	<input type="checkbox"/> Standard <input type="checkbox"/> SERVO-DRIVE	Lift mechanism	
		Fixing with pre-mounted system screws	
		LF	
		1350–6750	22F2211
		2700–13500	22F2511
	10000–19300	22F2811	
Symmetrical lift mechanism			
LF Power factor			

Wooden fronts and wide alu frames

Ordering information

	2	Telescopic arm	
		Cabinet height (mm)	
		480-610	22F3201
		600-910	22F3501
	840-1200	22F3901	
Symmetrical telescopic arm			

	3	Mounting plate for telescopic arm		
		Fixing method	Spacing (mm)	
		Screw-on ¹	0	175H3100
		EXPANDO	0	177H3100E
	Knock-in	0	177H3100	
All horizontal steel mounting plates with 0 mm spacing possible				

	4	Cover cap right	
		Colour	Material
		SW, HGR, TGR	K

	-	Cover cap left	
		Colour	Material
		SW, HGR, TGR	K

	5	SERVO-DRIVE cover cap left	
		Colour	Material
		SW, HGR, TGR	K

	-	Branding element		
		Material		
		K		
			Colour	
	Version		SW-M, TGR	
			IN-G	
	Printed *	2 x	ABD.1000.BL	ABD.1009.BL
Customised, printed branding element from 1000 pcs				
	Embossed *	2 x	ABD.1000.BT	ABD.1009.BT
Customised, embossed branding element starting from 5000 pcs				
	Plain	2 x	ABD.1000	ABD.1009
* With Blum logo				

	6	CLIP top 120° hinge		
		Boss	Spring	
		INSERTA	Unsprung	70T5590BTL
		Screw-on ¹	Unsprung	70T5550.TL
Boss overlay TO (fixed dimension)			11 mm	
3 hinges starting at cabinet width KB 1200 mm and/or 12 kg front weight				
4 hinges starting at cabinet width KB 1800 mm and/or 20 kg front weight				

Alternative to 6

-	CLIP top 120° special hinge for larger front overlay		
	Boss	Spring	
	INSERTA	Unsprung	72T5590BTL
	Screw-on ¹	Unsprung	72T5550.TL
Boss overlay TO (fixed dimension)			13 mm

3 hinges starting at cabinet width KB 1200 mm and/or 12 kg front weight

4 hinges starting at cabinet width KB 1800 mm and/or 20 kg front weight

	7	Mounting plate for CLIP top 120° hinge		
		Fixing method	Spacing (mm)	
		Screw-on ¹	0	175H3100
		EXPANDO	0	177H3100E
	Knock-in	0	177H3100	

Standard mounting plates, spacing depends on the upper front overlay

	8	CLIP top centre hinge		
		Boss	Spring	
		EXPANDO	Unsprung	78Z553ET
		Screw-on ¹	Unsprung	78Z5500T

3 hinges starting at cabinet width KB 1200 mm and/or 12 kg front weight

4 hinges starting at cabinet width KB 1800 mm and/or 20 kg front weight

	9	Mounting plate for CLIP top centre hinge		
		Fixing method	Spacing (mm)	
		Screw-on ¹	0	175H3100
		EXPANDO	0	177H3100E
	Knock-in	0	177H3100	

Standard mounting plates with 0 mm spacing

Only use cruciform mounting plates for wide alu frames under a 57 mm frame width

Colour/material	
SW	Silk white
SW-M	Silk white matt
HGR	Light grey
TGR	Dark grey
IN-G	In-mould brushed stainless steel
K	Nylon

¹ Use 2 chipboard screws (609.1x00) per side for wooden fronts. Use 2 countersunk self-tapping screws (660.0950) per side for wide alu frames.

Wooden fronts and wide alu frames

Ordering information

	10 SERVO-DRIVE drive unit		
	Colour	Material	
	TGR	K	23.A001

	11 SERVO-DRIVE switch		
	Colour	Material	2 x
	SW, HGR, TGR	K	23P5020
Incl. battery			

	12 Blum distance bumper		
	Colour	Material	
	R7037	K	
	Ø 5 mm		993.0530
	Ø 8 mm		993.0830.01

	- SERVO-DRIVE distribution cable		
	Colour	Length (m)	
	S	8	Z10K800AE
For cutting to size			

	- Connecting node		
	Colour	Material	
	S	K	Z10V100E.01

	13 SERVO-DRIVE power supply unit			
	A	Z10NE030A	F	Z10NE030F
	B	Z10NE030B	G	Z10NE030G
	C	Z10NE030C	H	Z10NE030H
	D	Z10NE030D	J	Z10NE030J
	E	Z10NE030E		

Includes operating and installation instructions

Without flex

Language package

A	DE, EN, FR, IT, NL	F	BG, ET, LT, LV, RO, RU
B	DA, EN, FI, NO, SV	G	EN, ES, FR
C	EL, EN, HR, SL, SR, TR	H	EN, ZH
D	EN, ES, FR, IT, PT	J	JA
E	CS, HU, PL, SK		

Language descriptions as per ISO-639

	14 Flex			
	Market		Market	
	AR	Z10M200A	JP	Z10M200J
	UK	Z10M200B	AU	Z10M200K
	CH	Z10M200C	CL	Z10M200L
	DK	Z10M200D	CN	Z10M200N
	Europe	Z10M200E	BR	Z10M200S.01
	Europe ¹	Z10M200E.OS	TW	Z10M200T
	IN	Z10M200H	US, CA	Z10M200U
	IL	Z10M200I	ZA	Z10M200Z

Length 2 m, incl. plug

¹ Without plug

	- Power supply unit housing		
	Panel fixing		
	Colour	Material	
	WGR	K	Z10NG120
For SERVO-DRIVE power supply unit			

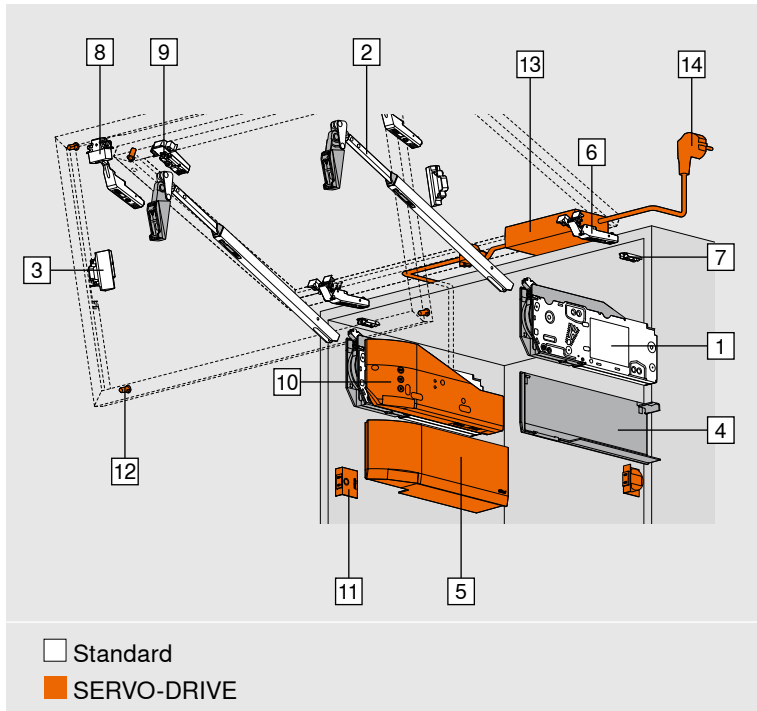
	- Cable holder		
	Colour	Material	
	W	K	Z10K0009
E.g. for fixing the SERVO-DRIVE distribution cable			

Accessories

	- SERVO-DRIVE switch attachment		
	Colour	Material	2 x
	SW, HGR, TGR	K	23P5216
For attaching the SERVO-DRIVE switch to the cabinet side without milling			

Colour/material	
SW	Silk white
HGR	Light grey
TGR	Dark grey
S	Black
W	White
WGR	White grey
R7037	RAL 7037 dust grey
K	Nylon

Narrow alu frames



- Ideal for higher wall cabinets with bi-fold fronts
- Cabinet height 480–1200 mm
- Cabinet width up to 1800 mm
- Internal depth of at least 264 mm
- Integrated BLUMOTION for soft and effortless closing
- Light operating forces
- Variable stop
- Integrated opening angle stop
- Fixed position of the lift mechanism and front fixing bracket
- Symmetrical lever
- Tool-free assembly
- Two lift mechanism fixing methods
- 3-dimensional adjustment of both fronts
- Centre hinge with finger safety feature

Ordering information

Note

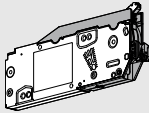
Power factor (LF) = cabinet height* (KH) [mm] x front weight including handle weight [kg]

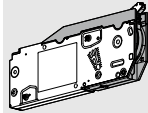
* Calculate with theoretical cabinet height (TKH) for asymmetrical fronts

The larger front must be at the top for asymmetrical fronts.

We recommend the more powerful lift mechanism for applications in overlapping ranges. A trial application is recommended when you are in a borderline area of the individual lift mechanism.

The power factor can be increased by 50% when using a third lift mechanism. We recommend a third lift mechanism for wide cabinets. This will prevent the front from sagging when open.

1	<input type="checkbox"/> Standard <input checked="" type="checkbox"/> SERVO-DRIVE	Lift mechanism	
		Fixing with chipboard screws with positioning system	
		LF	
		1350–6750	22F2201
		2700–13500	22F2501
		10000–19300	22F2801
Symmetrical lift mechanism			
LF Power factor			

1	<input type="checkbox"/> Standard <input checked="" type="checkbox"/> SERVO-DRIVE	Lift mechanism	
		Fixing with pre-mounted system screws	
		LF	
		1350–6750	22F2211
		2700–13500	22F2511
		10000–19300	22F2811
Symmetrical lift mechanism			
LF Power factor			

Narrow alu frames

Ordering information

	2	<input type="checkbox"/>	Telescopic arm		
			Cabinet height (mm)		
			480-610		22F3201
			600-910		22F3501
		840-1200		22F3901	
Symmetrical telescopic arm					
	3	<input type="checkbox"/>	CLIP adapter plate set for telescopic arms		
			Version	Spacing (mm)	
			Left/right	0	175H5B00
	4	<input type="checkbox"/>	Cover cap right		
			Colour	Material	
			SW, HGR, TGR	K	22.8001
	-	<input type="checkbox"/>	Cover cap left		
			Colour	Material	
			SW, HGR, TGR	K	22.8001
	5	<input checked="" type="checkbox"/>	SERVO-DRIVE cover cap left		
			Colour	Material	
			SW, HGR, TGR	K	23.8001
	-	<input type="checkbox"/>	Branding element		
			Material		
			K		
			Colour		
			SW-M, TGR	IN-G	
Version					
Printed *	2 x		ABD.1000.BL	ABD.1009.BL	
Customised, printed branding element from 1000 pcs					
Embossed *	2 x		ABD.1000.BT	ABD.1009.BT	
Customised, embossed branding element starting from 5000 pcs					
Plain	2 x		ABD.1000	ABD.1009	
* With Blum logo					

	6	<input type="checkbox"/>	CLIP top 120° aluminium frame door hinge		
			Boss	Spring	
			Screw-on	Unsprung	72T550A.TL
3 hinges starting at cabinet width KB 1200 mm and/or 12 kg front weight					
4 hinges starting at cabinet width KB 1800 mm and/or 20 kg front weight					

	7	<input type="checkbox"/>	Mounting plate for CLIP top 120° hinge		
			Fixing method	Spacing (mm)	
			Screw-on ¹	0	175H3100
			EXPANDO	0	177H3100E
		Knock-in	0	177H3100	
Standard mounting plates, spacing depends on the upper front overlay					

	8	<input type="checkbox"/>	CLIP top aluminium centre hinge		
			Boss	Spring	
			Screw-on	Unsprung	78Z550AT
3 hinges starting at cabinet width KB 1200 mm and/or 12 kg front weight					
4 hinges starting at cabinet width KB 1800 mm and/or 20 kg front weight					

	9	<input type="checkbox"/>	CLIP adapter plate for centre hinges		
			Version	Spacing (mm)	
			Symmetrical	0	175H5A00

Colour/material	
SW	Silk white
HGR	Light grey
TGR	Dark grey
IN-G	In-mould brushed stainless steel
K	Nylon

Narrow alu frames

Ordering information

	10 SERVO-DRIVE drive unit		
	Colour	Material	
	TGR	K	23.A001

	11 SERVO-DRIVE switch		
	Colour	Material	2 x
	SW, HGR, TGR	K	23P5020
Incl. battery			

	12 Blum distance bumper		
	Colour	Material	
	R7037	K	
	Ø 5 mm		993.0530
	Ø 8 mm		993.0830.01

	- SERVO-DRIVE distribution cable		
	Colour	Length (m)	
	S	8	Z10K800AE
For cutting to size			

	- Connecting node		
	Colour	Material	
	S	K	Z10V100E.01

	13 SERVO-DRIVE power supply unit			
	A	Z10NE030A	F	Z10NE030F
	B	Z10NE030B	G	Z10NE030G
	C	Z10NE030C	H	Z10NE030H
	D	Z10NE030D	J	Z10NE030J
	E	Z10NE030E		

Includes operating and installation instructions

Without flex

Language package

A	DE, EN, FR, IT, NL	F	BG, ET, LT, LV, RO, RU
B	DA, EN, FI, NO, SV	G	EN, ES, FR
C	EL, EN, HR, SL, SR, TR	H	EN, ZH
D	EN, ES, FR, IT, PT	J	JA
E	CS, HU, PL, SK		

Language descriptions as per ISO-639

	14 Flex			
	Market		Market	
	AR	Z10M200A	JP	Z10M200J
	UK	Z10M200B	AU	Z10M200K
	CH	Z10M200C	CL	Z10M200L
	DK	Z10M200D	CN	Z10M200N
	Europe	Z10M200E	BR	Z10M200S.01
	Europe ¹	Z10M200E.OS	TW	Z10M200T
	IN	Z10M200H	US, CA	Z10M200U
	IL	Z10M200I	ZA	Z10M200Z

Length 2 m, incl. plug

¹ Without plug

	- Power supply unit housing		
	Panel fixing		
	Colour	Material	
	WGR	K	Z10NG120
For SERVO-DRIVE power supply unit			

	- Cable holder		
	Colour	Material	
	W	K	Z10K0009
E.g. for fixing the SERVO-DRIVE distribution cable			

Accessories

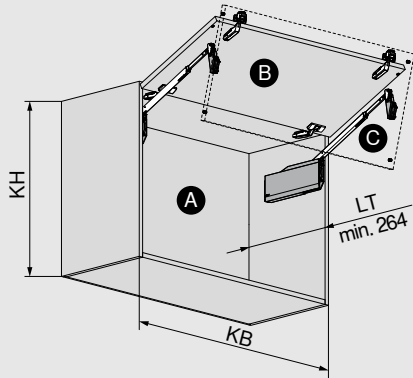
	- SERVO-DRIVE switch attachment		
	Colour	Material	2 x
	SW, HGR, TGR	K	23P5216
For attaching the SERVO-DRIVE switch to the cabinet side without milling			

Colour/material	
SW	Silk white
HGR	Light grey
TGR	Dark grey
S	Black
W	White
WGR	White grey
R7037	RAL 7037 dust grey
K	Nylon

Wooden fronts, wide and narrow alu frames

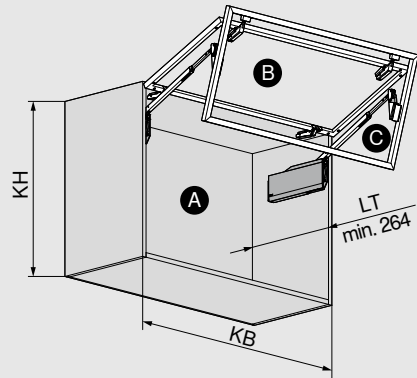
Planning

Wooden fronts and wide alu frames symmetrical



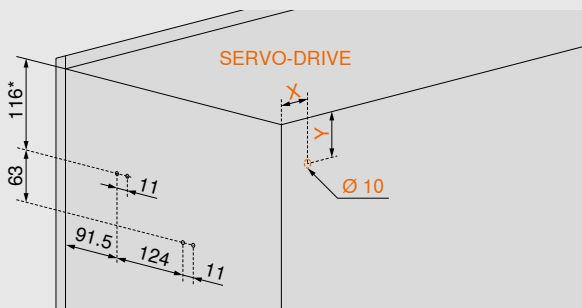
- A Cabinet
- B Front 1
- C Front 2
- KB Cabinet width
- KH Cabinet height
- LT Internal cabinet depth

Narrow alu frames symmetrical



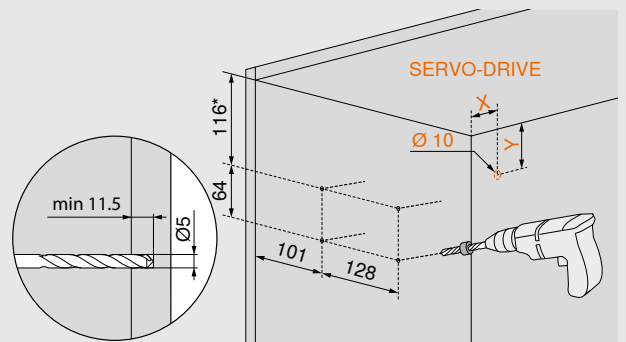
- A Cabinet
- B Front 1
- C Front 2
- KB Cabinet width
- KH Cabinet height
- LT Internal cabinet depth

Fixing position for lift mechanism with chipboard screws incl. positioning system



Cabinet height KH (mm)	X (mm)	Y (mm)
480-519	38.5	102
520-1200	38.5	124
4 x chipboard screws, Ø 4 x 35 mm		
* 116 mm for cabinet height KH 520-1200 mm 93 mm for cabinet height KH 480-519 mm		

Fixing position for lift mechanism with pre-mounted system screws



Cabinet height KH (mm)	X (mm)	Y (mm)
480-519	38.5	102
520-1200	38.5	124
* 116 mm for cabinet height KH 520-1200 mm 93 mm for cabinet height KH 480-519 mm		

Wooden fronts, wide and narrow alu frames

Planning

Space requirement

SERVO-DRIVE

KH Cabinet height

Space requirement upper

$X_{max} = FH \times 0.9 + 1.5 \times FD + 35$

Opening angle stop	Y (mm)
Without	$FH \times 0.44 + 38$
107°	$FH \times 0.29 + 35$
97°	$FH \times 0.12 + 31$
88°	28
81°	0

FD Front thickness
FH Front height

Symmetrical front

$KH = FHo \times 2 + F1 + F2 + F3$

F1	Gap 1
F2	Gap 2
F3	Gap 3
FHo	Upper front height
FHu	Lower front height
KH	Cabinet height

Asymmetrical front

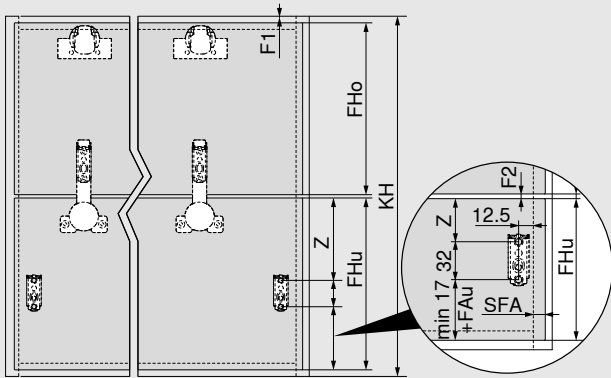
$TKH = FHo \times 2 + F1 + F2 + F3$

F1	Gap 1
F2	Gap 2
F3	Gap 3
FHo	Upper front height
FHu	Lower front height
TKH	Theoretical cabinet height

Wooden fronts and wide alu frames

Planning

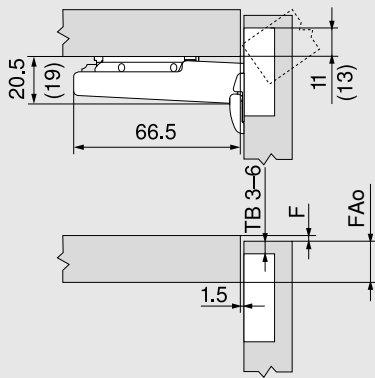
Wood and wide alu frames



Cabinet height KH (mm)	Z (mm)
480–519	170
520–1200	189

F1	Gap 1
F2	Gap 2
FAu	Bottom front overlay
FHo	Upper front height
FHu	Lower front height
SFA	Side front overlay

CLIP top 120° hinge



F Gap

() CLIP top 120° special hinge

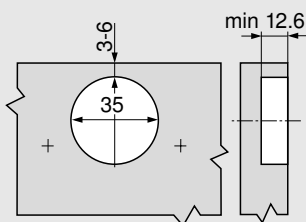
Drilling distance TB

MD	Front overlay FA (mm)																
	5	6	7	8	9	10	11	12	13	14	15	16	17				
0										3	4	5	6				
3							3	4	5	6							
6				3	4	5	6										
9	3	4	5	6													

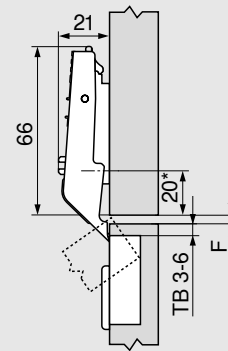
MD Mounting plate spacing (mm)

The front overlay must always be 2 mm bigger for the CLIP top 120° special hinge.

Screw-on assembly



CLIP top centre hinge



F Min. gap 1.5 mm

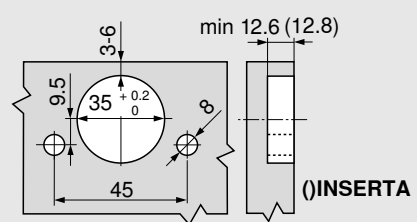
* 37 mm for cruciform mounting plates (37/32)

Drilling distance TB

MD	Horizontal gap F between fronts (mm)																
														3	4	5	6
0														6	5	4	3
3																	
6																	
9																	

MD Mounting plate spacing (mm)

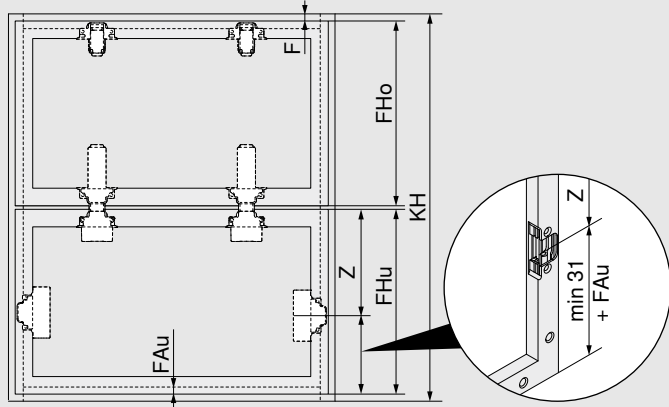
INSERTA | EXPANDO assembly



Narrow alu frames

Planning

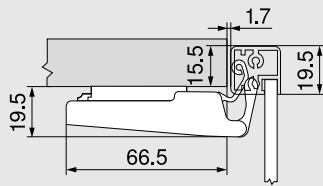
Narrow alu frame



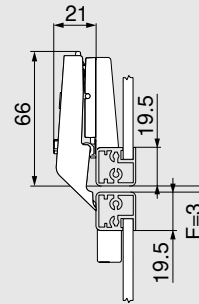
Cabinet height KH (mm)	Z (mm)
480–519	188
520–1200	207

- F Gap
- FAu Bottom front overlay
- FHo Upper front height
- FHu Lower front height

CLIP top 120° aluminium frame door hinge

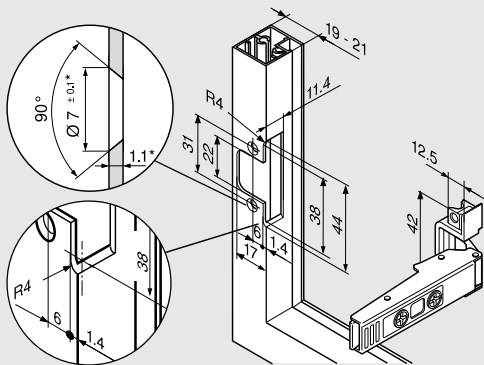


CLIP top aluminium centre hinge



- F Min. gap 1.5 mm
- The gap needs to be adjusted for frame thicknesses over 20.5 mm

Screw-on assembly (hinge | adapter plate)



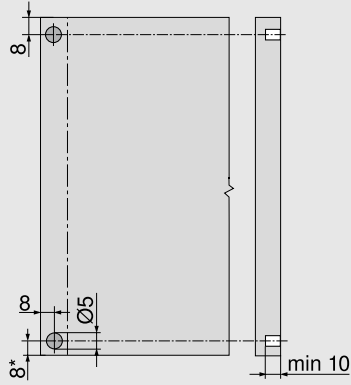
* When changing material thickness, adjust the assembly dimensions accordingly

SERVO-DRIVE for AVENTOS HF top

Blum distance bumper (SERVO-DRIVE application only)



Insert Blum distance bumper (do not glue)



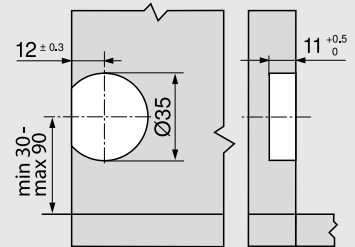
Recommendation for aluminium frames

Take into account the drilling for the Blum distance bumper in the cabinet side

A trial application must be carried out when fixing to the front

* From cabinet bottom edge for fronts that protrude below

SERVO-DRIVE switch



Assembly and adjustment



Our EASY ASSEMBLY app provides information about assembly and adjustment of AVENTOS HF top and SERVO-DRIVE

www.blum.com/eaapp

Accessories

Hinge set – wooden fronts



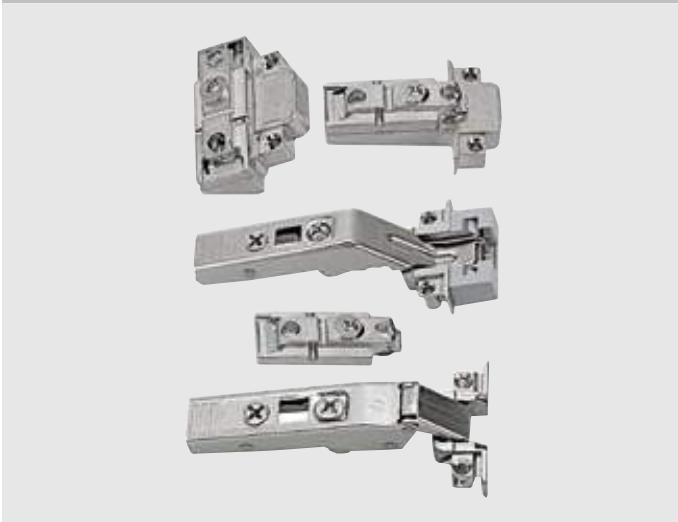
Ordering information	
Fixing method	
INSERTA Knock-in EXPANDO	
78Z5530T11	
Consisting of:	
2 x	CLIP top 120° hinge unsprung 70T5590BTL
2 x	CLIP top centre hinge unsprung 78Z5530T
6 x	Horizontal cam mounting plate 177H3100

Hinge set – wooden fronts and wide aluminium frames



Ordering information	
Fixing method	
Screw-on ¹	
78Z5500T12	
Consisting of:	
2 x	CLIP top 120° hinge unsprung 70T5550.TL
2 x	CLIP top centre hinge unsprung 78Z5500T
6 x	Horizontal cam mounting plate 175H3100
¹ Use chipboard screws (609.1x00) for wooden fronts. Use countersunk self-tapping screws (660.0950) for wide aluminium frames.	
For wide alu frames, an additional cruciform mounting plate is required for the CLIP top centre hinge.	

Hinge set – narrow aluminium frames



Ordering information	
Fixing method	
Screw-on	
78Z550AT11	
Consisting of:	
2 x	CLIP top 120° aluminium frame door hinge unsprung 72T550A.TL
2 x	CLIP top aluminium centre hinge unsprung 78Z550AT
2 x	Horizontal cam mounting plate 175H5400
2 x	CLIP adapter plate symmetric 175H5A00
2 x	CLIP adapter plate left/right 175H5B00

Julius Blum GmbH
Furniture Fittings Mfg.
6973 Höchst, Austria
Tel.: +43 5578 705-0
Fax: +43 5578 705-44
E-mail: info@blum.com
www.blum.com

Our sites in Austria, Poland and China are certified to the international standards mentioned below.
Our site in the USA is certified to ISO 9001.
Our site in Brazil is certified to ISO 9001, ISO 14001 and ISO 45001.



ISO 9001
Certified Quality
System



ISO 14001
Certified Environmental
System



ISO 50001
Certified Energy
System

 **blum**®



Look for our
FSC™-certified
products

All content is copyrighted by Blum.
Subject to technical modifications and changes to the range without notice.
TD-142/1 EN-AL/05.23