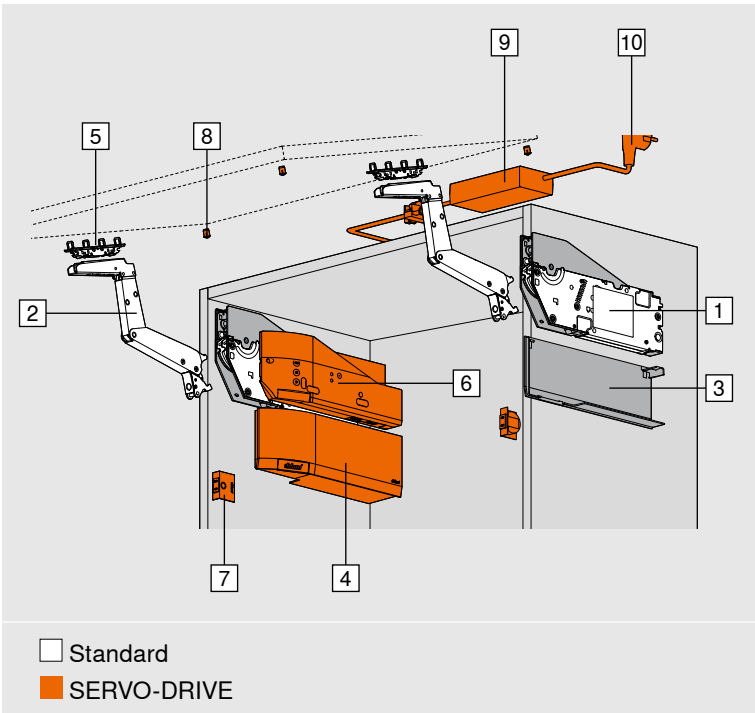


AVENTOS HS top

Technical data sheet





- Ideal for large, one-part fronts
- Cabinet height 350-800 mm
- Cabinet width up to 1800 mm
- Internal depth of at least 264 mm
- Integrated BLUMOTION adjustment feature for soft and effortless closing
- Light operating forces
- Variable stop
- Fixed position of the lift mechanism and front fixing bracket
- Symmetrical lever
- Tool-free assembly
- Two lift mechanism fixing methods
- 3-dimensional adjustment of the front

Ordering information

Note

We recommend the more powerful lift mechanism for applications in overlapping ranges. A trial application is recommended when you are in a borderline area of the individual lift mechanism.

The power factor can be increased by 50% when using a third lift mechanism. We recommend a third lift mechanism for wide cabinets. This will prevent the front from sagging when open.

1	<input type="checkbox"/> Standard <input checked="" type="checkbox"/> SERVO-DRIVE	Lift mechanism		
	Fixing with chipboard screws with positioning system			
	KH (mm)	FG (kg)		
	350-450	2.00-11.50		22S2201
	450-540	2.50-12.50		22S2501
	480-660	2.75-15.25		22S2801
650-800	3.50-18.50		22S2801	
Symmetrical lift mechanism				
FG Front weight				
KH Cabinet height				

1	<input type="checkbox"/> Standard <input checked="" type="checkbox"/> SERVO-DRIVE	Lift mechanism		
	Fixing with pre-mounted system screws			
	KH (mm)	FG (kg)		
	350-450	2.00-11.50		22S2211
	450-540	2.50-12.50		22S2511
	480-660	2.75-15.25		22S2811
650-800	3.50-18.50		22S2811	
Symmetrical lift mechanism				
FG Front weight				
KH Cabinet height				

Ordering information

2		Lever arm		
		Colour	Material	
		NI	Steel	22S3501

Symmetrical lever arm

3		Cover cap right		
		Colour	Material	
		SW, HGR, TGR	K	22.8001

-		Cover cap left		
		Colour	Material	
		SW, HGR, TGR	K	22.8001

4		SERVO-DRIVE cover cap left		
		Colour	Material	
		SW, HGR, TGR	K	23.8001

-		Branding element		
		Material	Colour	
		K	SW-M, TGR	IN-G
	Printed *	2 x	ABD.1000.BL	ABD.1009.BL
	Embossed *	2 x	ABD.1000.BT	ABD.1009.BT
	Plain	2 x	ABD.1000	ABD.1009

* With Blum logo

5		Front fixing bracket		
		Wooden fronts and wide alu frames		
		Screw-on	¹	20S4201
		EXPANDO		20S42E1
		Knock-in	20S4231	

¹ Use 4 chipboard screws (609.1x00) per side for wooden fronts.
Use 4 countersunk self-tapping screws (660.0950) per side for wide alu frames.

-		Front fixing bracket		
		Narrow alu frames		
				20S4201A

6		SERVO-DRIVE drive unit		
		Colour	Material	
		TGR	K	23.A001

7		SERVO-DRIVE switch		
		Colour	Material	2 x
		SW, HGR, TGR	K	23P5020

Incl. battery

8		Blum distance bumper		
		Colour	Material	
		R7037	K	
		Ø 5 mm		993.0530
		Ø 8 mm		993.0830.01

-		SERVO-DRIVE distribution cable		
		Colour	Length (m)	
		S	8	Z10K800AE

For cutting to size

-		Connecting node		
		Colour	Material	
		S	K	Z10V100E.01

Colour/material	
NI	Nickel plated
SW	Silk white
SW-M	Silk white matt
HGR	Light grey
TGR	Dark grey
IN-G	In-mould brushed stainless steel
S	Black
R7037	RAL 7037 dust grey
K	Nylon

Ordering information

	9 SERVO-DRIVE power supply unit			
	A	Z10NE030A	F	Z10NE030F
	B	Z10NE030B	G	Z10NE030G
	C	Z10NE030C	H	Z10NE030H
	D	Z10NE030D	J	Z10NE030J
	E	Z10NE030E		

Includes operating and installation instructions

Without flex

Language package

A	DE, EN, FR, IT, NL	F	BG, ET, LT, LV, RO, RU
B	DA, EN, FI, NO, SV	G	EN, ES, FR
C	EL, EN, HR, SL, SR, TR	H	EN, ZH
D	EN, ES, FR, IT, PT	J	JA
E	CS, HU, PL, SK		

Language descriptions as per ISO-639

	10 Flex			
	Market		Market	
	AR	Z10M200A	JP	Z10M200J
	UK	Z10M200B	AU	Z10M200K
	CH	Z10M200C	CL	Z10M200L
	DK	Z10M200D	CN	Z10M200N
	Europe	Z10M200E	BR	Z10M200S.01
	Europe ¹	Z10M200E.OS	TW	Z10M200T
	IN	Z10M200H	US, CA	Z10M200U
	IL	Z10M200I	ZA	Z10M200Z

Length 2 m, incl. plug

¹ Without plug

	- Power supply unit housing		
	Panel fixing		
	Colour	Material	
	WGR	K	Z10NG120

For SERVO-DRIVE power supply unit

	- Cable holder		
	Colour	Material	
	W	K	Z10K0009

E.g. for fixing the SERVO-DRIVE distribution cable

Accessories

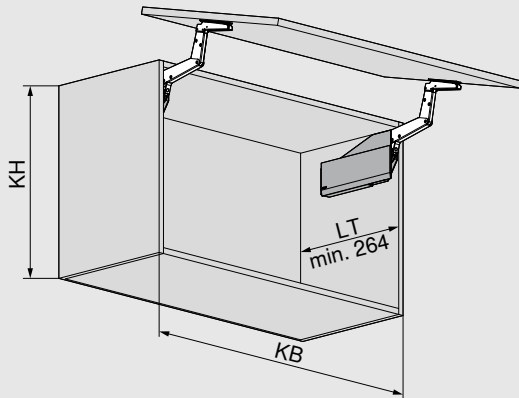
	- SERVO-DRIVE switch attachment		
	Colour	Material	2 x
	SW, HGR, TGR	K	23P5216

For attaching the SERVO-DRIVE switch to the cabinet side without milling

Colour/material	
SW	Silk white
HGR	Light grey
TGR	Dark grey
W	White
WGR	White grey
K	Nylon

Planning

Symmetrical wooden fronts

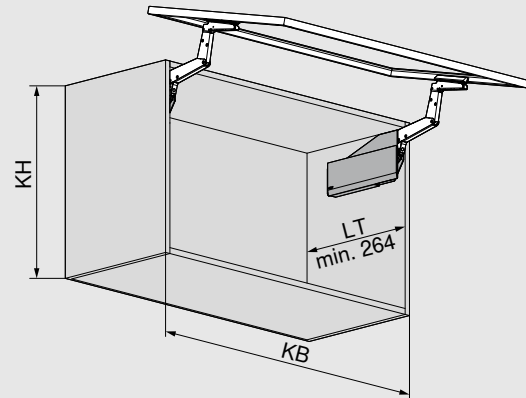


KB Cabinet width

KH Cabinet height

LT Internal cabinet depth

Symmetrical alu frames

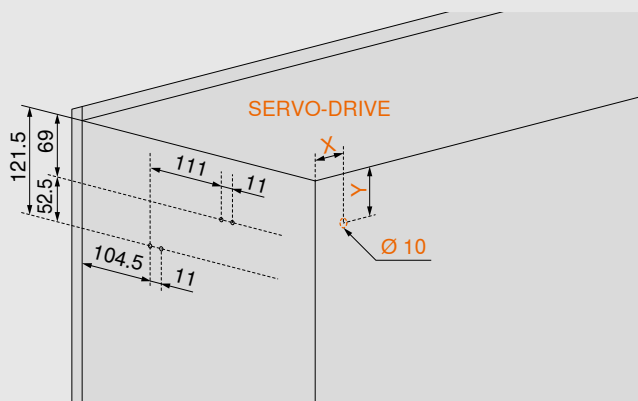


KB Cabinet width

KH Cabinet height

LT Internal cabinet depth

Fixing position for lift mechanism with chipboard screws incl. positioning system

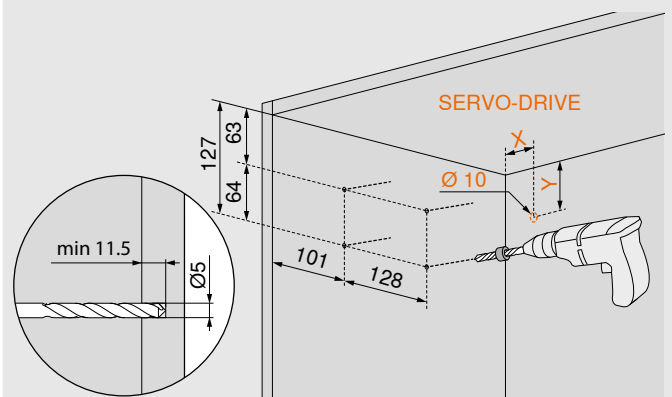


SERVO-DRIVE

X 38.5 mm

Y 45 mm

Fixing position for lift mechanism with pre-mounted system screws

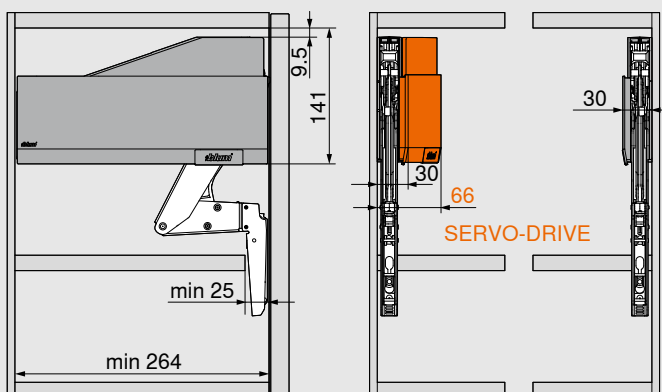


SERVO-DRIVE

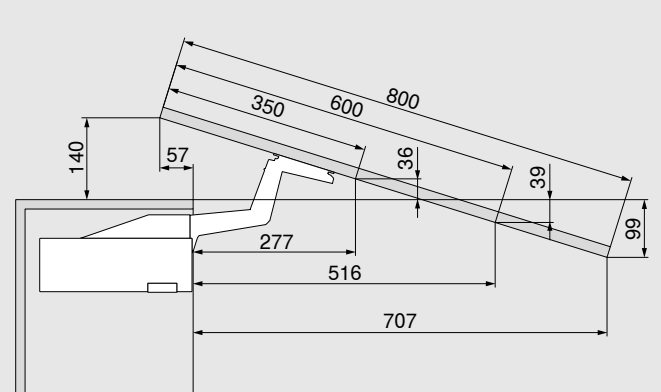
X 38.5 mm

Y 45 mm

Space requirement



Front setting

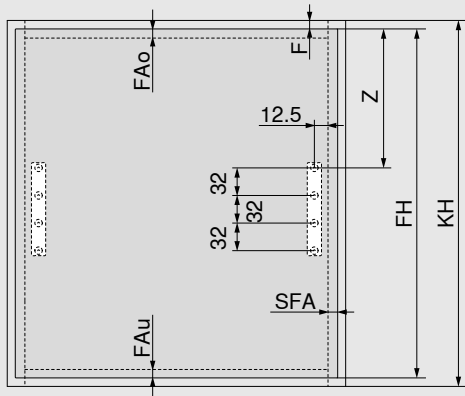


Dimensions depend on tilt adjustment

Planning

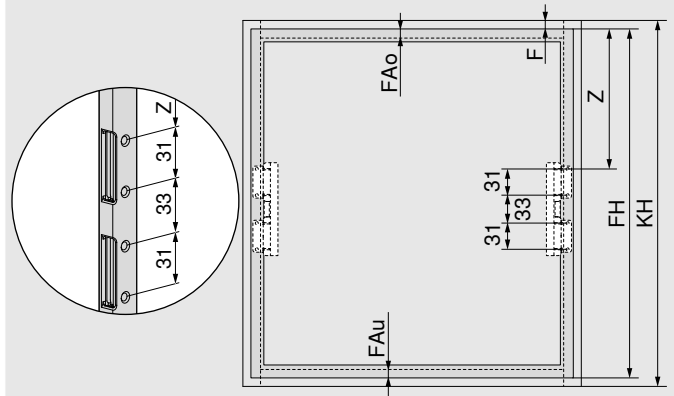
Front assembly

Wooden fronts and wide alu frames



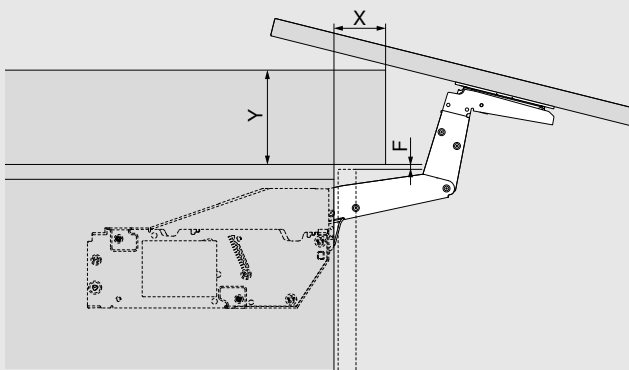
- FAo Upper front overlay
- FAu Bottom front overlay
- F Gap
- Z 195 + FAo
- FH Front height
- KH Cabinet height
- SFA Side front overlay

Narrow alu frames



- FAo Upper front overlay
- FAu Bottom front overlay
- F Gap
- Z 195.5 + FAo
- FH Front height
- KH Cabinet height

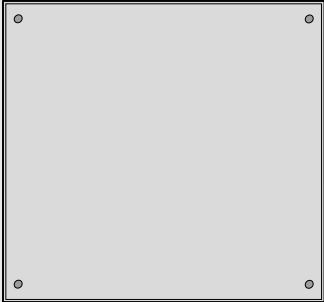
Space requirement – cornice | crown moulding



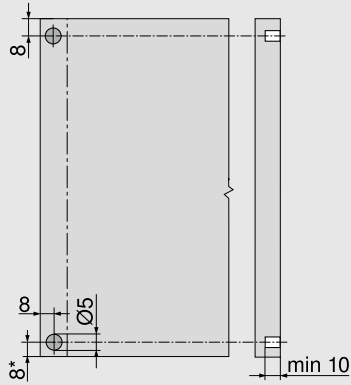
F (mm)	3.0	2.0	1.5
X max. (mm)	31	29	27
Y max. (mm)	117	118	119
F Gap			

SERVO-DRIVE for AVENTOS HS top

Blum distance bumper (SERVO-DRIVE application only)



Insert Blum distance bumper (do not glue)



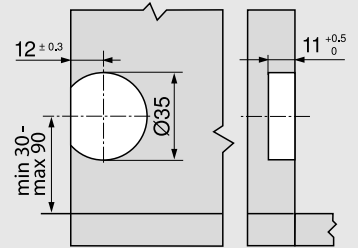
Recommendation for aluminium frames

Take into account the drilling for the Blum distance bumper in the cabinet side

A trial application must be carried out when fixing to the front

* From cabinet bottom edge for fronts that protrude below

SERVO-DRIVE switch



Assembly and adjustment



Our EASY ASSEMBLY app provides information about assembly and adjustment of AVENTOS HS top and SERVO-DRIVE

www.blum.com/eaapp

Julius Blum GmbH
Furniture Fittings Mfg.
6973 Höchst, Austria
Tel.: +43 5578 705-0
Fax: +43 5578 705-44
E-mail: info@blum.com
www.blum.com

Our sites in Austria, Poland and China are certified to the international standards mentioned below.
Our site in the USA is certified to ISO 9001.
Our site in Brazil is certified to ISO 9001, ISO 14001 and ISO 45001.



ISO 9001
Certified Quality
System



ISO 14001
Certified Environmental
System



ISO 50001
Certified Energy
System

 **blum**[®]



Look for our
FSC™-certified
products

All content is copyrighted by Blum.
Subject to technical modifications and changes to the range without notice.
TD-144/2 EN-AL/09.23